



ECU-B

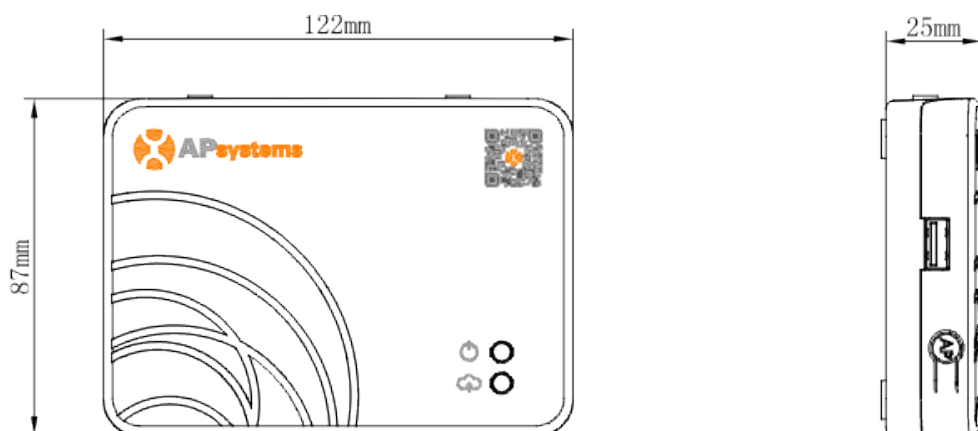
Energy Communication Unit

- Collection and transmission of inverter data
- Real time monitoring of each inverter
- Built-in WiFi
- Small size, flexible installation
- Maximum monitoring 4 modules

PRODUCT FEATURES

The APsystems Communicator, our state-of-the-art Energy Communication Unit (ECU-B), is the information gateway for our APsystems inverters. It collects and transfers module performance data in real time, giving you comprehensive monitoring and control over each individual module, optimizing the performance of your solar array.

DIMENSIONS



ECU-B Datasheet

Model

ECU-B

Communication to Microinverter

Communication	ZigBee 2.4 GHz
Maximum Communicating Input channels*	4

Communication to EMA

Wireless	Wi-Fi 802.11g/n /GSM Cellular
Wireless Security	WEP, WPA2-PSK
USB Interface	5Vdc-0.5A Output

Power Date

Power Supply	5V, 2A
Power Consumption	1.7 W

Product Specifications

Frequency Range	2412MHZ-2472MHZ (WIFI), 2405mhz-2480mhz (ZigBee)
RF Output Power (EIRP)	16.56 dbm (WIFI), 9.50 dbm (ZigBee)
Type of Antenna	External antenna
Modulation	DSSS, OFDM
Mode of Operation(Simplex/Duplex)	Duplex

Mechanical Data

Dimensions (W×H×D)	4.8'' x 3.4'' x 0.98'' (122 mm x 87 mm x 25 mm)
Weight	0.33lbs (150g)
Energy Management	-4°F to +149°F (-20°C to +65°C)
Cooling	Nature Convection; No Fans
Enclosure Environmental Rating	Indoor - NEMA 1 (IP20)

Features

Compliance	IEC 60950-1, EN60950-1, IEC 60529, EN 60529, ANSI/UL 60950-1, CAN/CSA C22.2 No.60950-1, UL50E, FCC part 15, EN61000-6-1, EN61000-6-3, ICES-003, AS NZS 60950-1, GB/T17799
------------	---

*For example 2pcs DS3 series or 1psc QT2 series.



Please scan this QR code to download our APPs or check the link: <http://q-r.to/10rC>



© All Rights Reserved
Specifications subject to change without notice - please ensure you are using the most recent update found at www.APsystems.com