

(3-wire)Bus Cable Accessories Series

(For APAC)



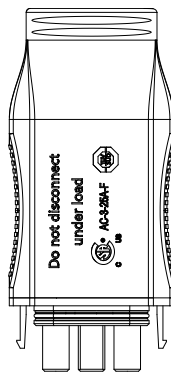
Bus Cable Series is designed to simplify in-field module installations involving parallel-series configurations.

Our low-resistant, IP67 branch cables take the labor out of stripping and crimping associated with making branch connections, reducing labor cost and improving workmanship.

Advantages of Bus Cable leads

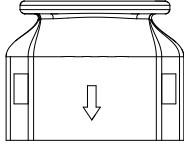
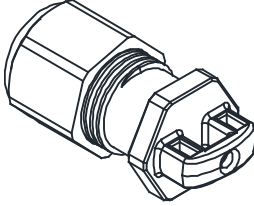
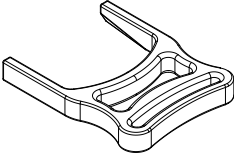
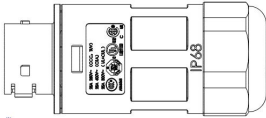
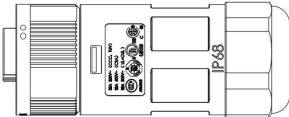
- Fast and efficient module wiring, reduced assembly time.
- Continuous main cable reducing the number of contact pints, thereby reducing contact resistance.
- Good bonding performance between different plastics.
- Protection against incidental contact with the enclosed equipment.
- Customized Design.

Bus Cable



Conductor Size	3x14AWG
Cable Diameter	10.0±0.3mm
Cable Rating	TC-ER
Protection Degree	IP67
Rated Temperature	+90°C(Dry or Wet)
UV Resistant	UL1581
Product Standard	UL44 UL1277 UL1581 ROHS

Bus Cable Accessories

	<p>Bus Cable T-CONN Cap</p> <p>Protects the unused T-CONN on the Bus Cable</p>
	<p>Bus Cable End Cap</p> <p>Protects water proof for the end of Bus Cable</p>
	<p>AC Connector Unlock Tool</p> <p>Unlocks the inverter and Bus Cable</p>
	<p>25A AC Male Connector(EN,3-wire) 25A AC Female Connector(EN,3-wire)</p>
	<p>Self-help extension cable</p>